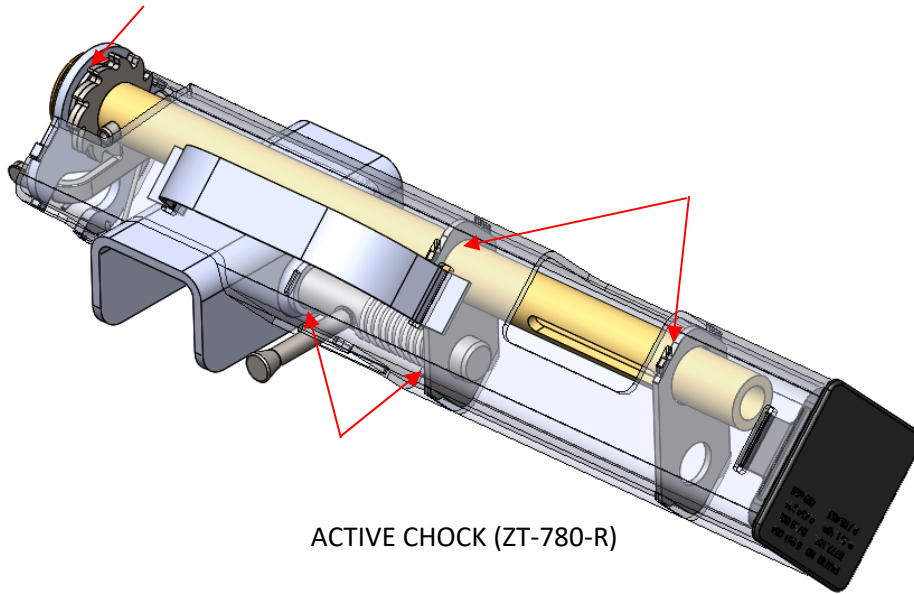


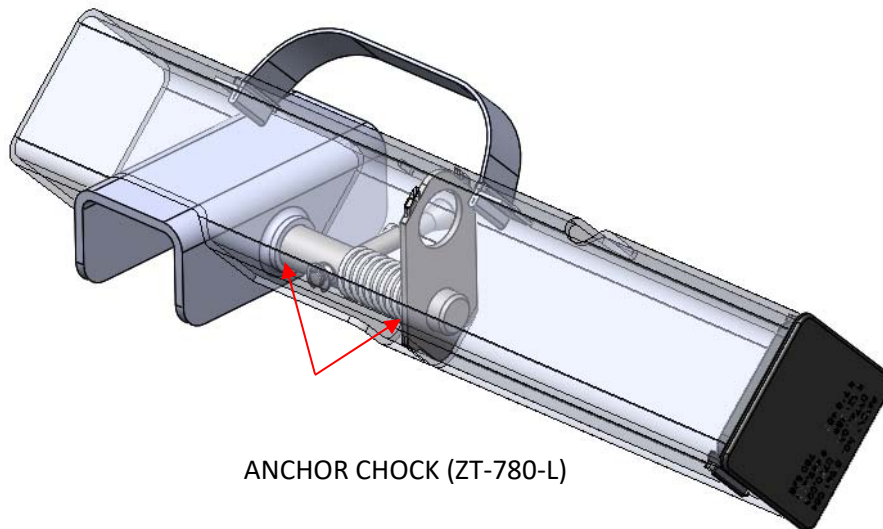
## Lubrication of Hybrid Wheel Chocks

Lubricate all steel on steel contact points marked below.

Use Zircon Industries Dri-Graph Lube 1- high temp dry lubricant  
or equivalent AAR approved dry lubricant.



ACTIVE CHOCK (ZT-780-R)



ANCHOR CHOCK (ZT-780-L)