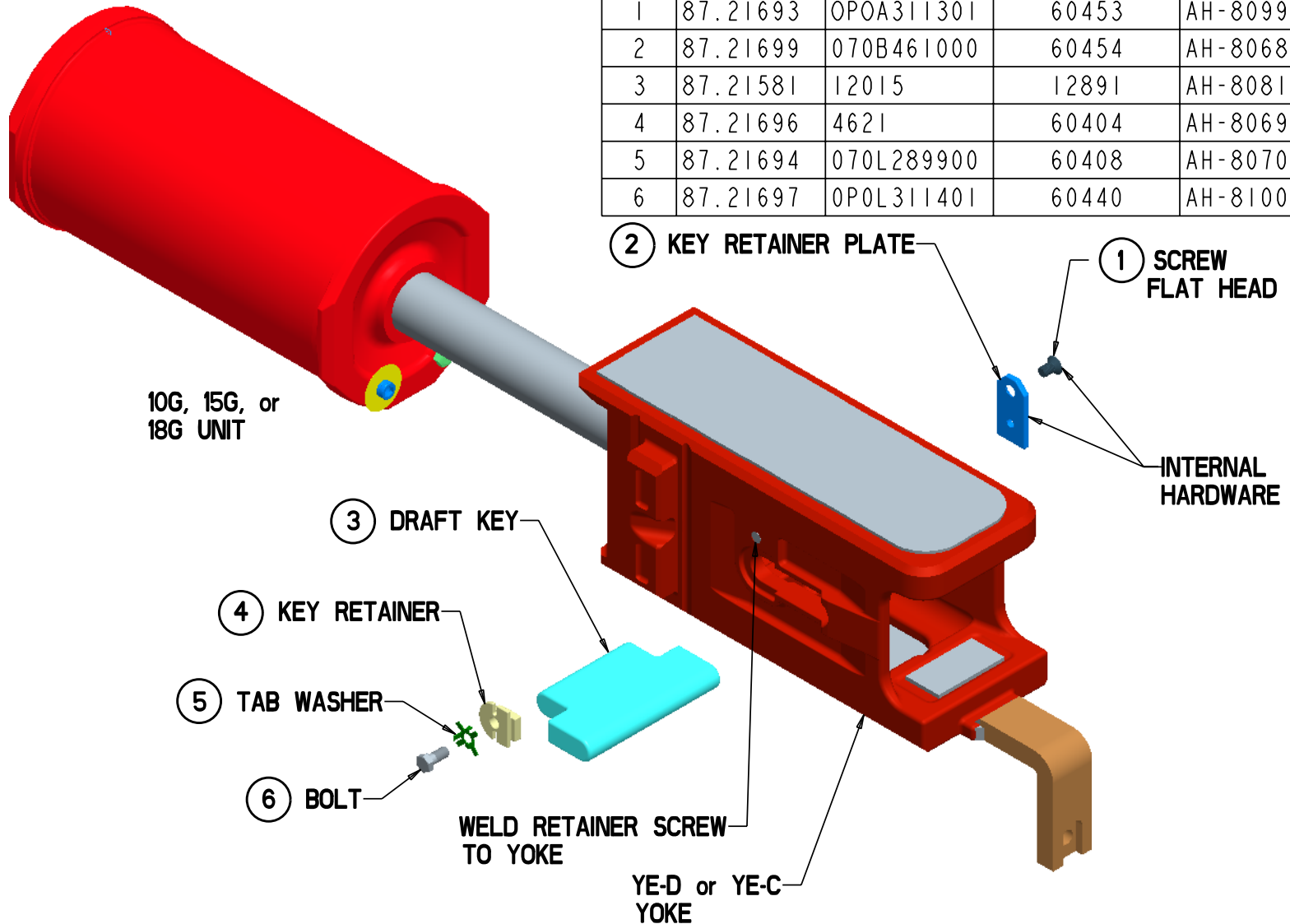


COUPLER KEY RETAINING COMPONENTS				
ITEM	FMI	ASF KEYSTONE	ASF-KEYSTONE CAST FMI YOKE	AHI
1	87.21693	OPOA311301	60453	AH-8099
2	87.21699	070B461000	60454	AH-8068
3	87.21581	12015	12891	AH-8081
4	87.21696	4621	60404	AH-8069
5	87.21694	070L289900	60408	AH-8070
6	87.21697	0POL311401	60440	AH-8100



INSTALL COUPLER, DRAFT KEY, KEY RETAINER, TAB WASHER AND BOLT, TORQUE BOLT TO 25 FT/LBS, BEND AT LEAST (3) TABS OVER ONTO THE FLATS OF THE BOLT.

COUPLER RETENTION INSTALLATION PROCEDURE FOR "E-G" STYLE APPLICATION