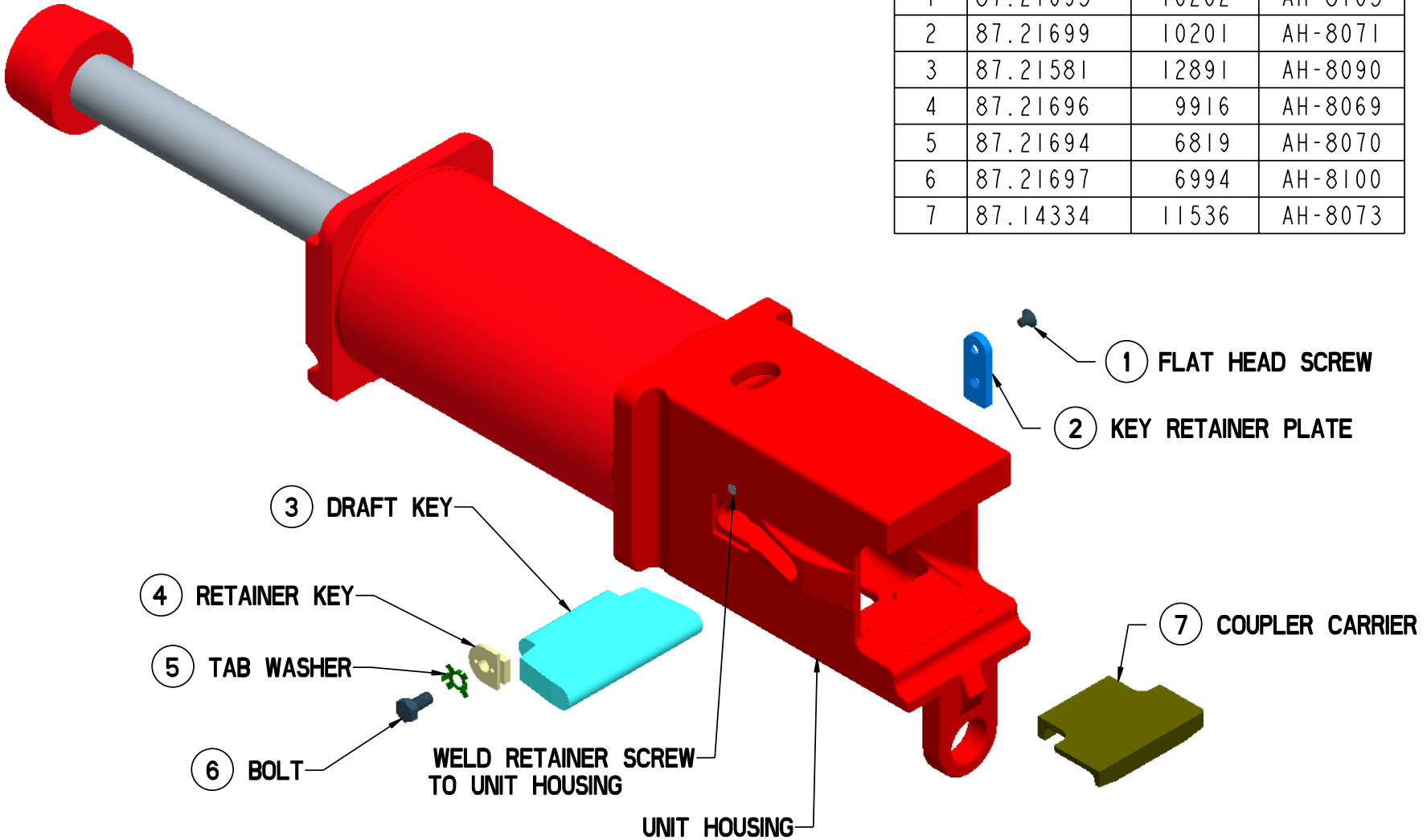


COUPLER KEY RETAINING COMPONENTS			
ITEM	FMI	ASF KEYSTONE	AHI
1	87.21693	10202	AH-8103
2	87.21699	10201	AH-8071
3	87.21581	12891	AH-8090
4	87.21696	9916	AH-8069
5	87.21694	6819	AH-8070
6	87.21697	6994	AH-8100
7	87.14334	11536	AH-8073



INSTALL COUPLER, DRAFT KEY, KEY RETAINER, TAB WASHER AND BOLT, TORQUE BOLT TO 25 FT/LBS, BEND AT LEAST (3) TABS OVER ONTO THE FLATS OF THE BOLT.

COUPLER RETENTION INSTALLATION PROCEDURE FOR E-10 & 15 GRC STYLE APPLICATION