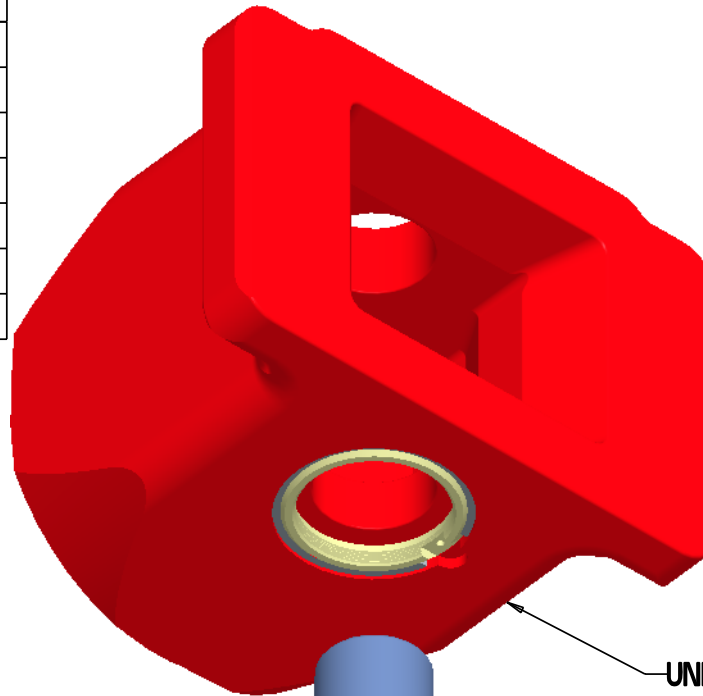


COUPLER KEY RETAINING COMPONETS

ITEM	FMI	ASF-KEystone	AHI	
1	87.14323	163891	604891	AH-5033C KIT
2	87.14327	16390	18436	NOT USED
2A	NOT USED	NOT USED		AH-5033C-5
3	87.21004	16389	60472	AH-5033C-3
4	Y47	1809	1809	AH-8089
5	NOT USED	NOT USED		AH-5033C-4



UNIT HOUSING

④ COUPLER PIN

① THREADED PIN RETAINER

⑤ BOLT FLAT HEAD

③ TAB RETAINER PLATE

② BOLT

②A NUT JAM

INSTALL COUPLER, DRAFT PIN, THREADED PIN RETAINER, SCREW THE THREADED PIN RETAINER INTO THE THREADED HOUSING TO SUPPORT THE COUPLER PIN. THE THREADED PIN RETAINER SHOULD BE FLUSH WITH THE BOTTOM OF THE UNIT HOUSING. TAB RETAINER PLATE, AND BOLT, TORQUE TO 20-35 FT/LBS, BEND AT LEAST (2) TABS OVER ONTO THE FLATS OF THE BOLT.

COUPLER RETENTION INSTALLATION PROCEDURE FOR FREIGHTMASTER TYPE "F"-HD & AR SERIES STYLE APPLICATION